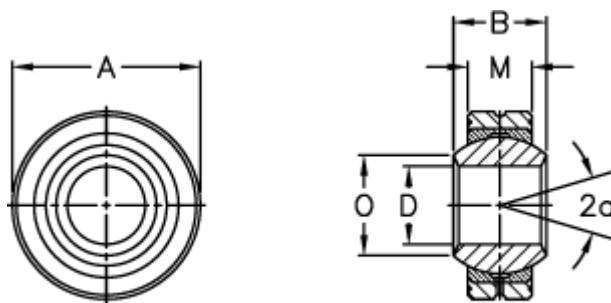


Article number: 03401035

Description: Fluro Rod end GLXS 35

Measures



Str. 3-4 uden smørerille

A	= 78	Static load C0 (kN) = 480
a (degrees)	= 19	Weight = 850
B	= 43	
D	= 35	
Dynamic load C (kN)	= 80	
M	= 30	
O	= 37.7	
Permissible rpm	= 330	